

WAT-2200D 1/2.8" Professional 3G-SDI/HD-SDI Waterproof Camera

Full HD CMOS sensor

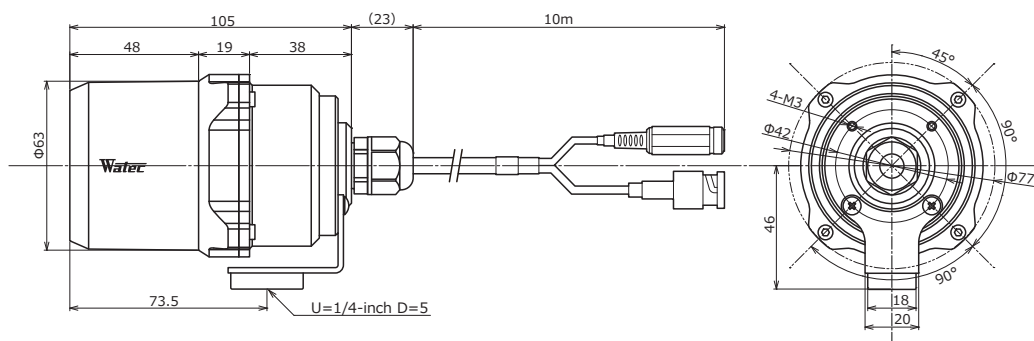


※No CE & FCC

Key features

- Durable aluminum housing IPX8 (10m) *Stainless steel housing available on request
- Various function settings available to order (AE mode, white balance, gain control, BLC, etc.)
- Noise reduction, wide dynamic range
- Digital interface 3G-SDI/HD-SDI, HD resolution of 1080p60 Full HD
*Digital interface selectable (Std. HD-SDI)
- Megapixel lens selectable from f3.0 - 9.0mm (Std. f3.0) on request

Dimensions



Specifications

Pick-up element	1/2.8 inch CMOS image sensor	
Number of effective pixels	1944(H) × 1224(V)	
Unit cell size	2.8μm(H) × 2.8μm(V)	
Imaging system	RGB+W array mosaic filters on chip	
Synchronizing system	Internal	
Scanning system	Progressive	
Video output	HD-SDI	
Output format	1080/60i	
Minimum illumination	0.1 lx F1.2 (AGC HIGH=66dB, Shutter=OFF)	
S/N	More than 50dB (AGC OFF=0dB, γ=1.0)	
Function settings	-	
AE mode	Fixed	-
	EI	1/60 - 1/10000 sec.
White balance	ATW	
AGC	ON	0 - 42dB
	OFF	-
MGC	-	
Day/Night	-	
Noise reduction	OFF	
Wide dynamic range	OFF	
Lens iris	DC	
Back light compensation	OFF	
White blemish correction	-	
Sharpness	OFF	
Defog	OFF	
Digital zoom	-	
Privacy mask	-	
Mirror image	OFF	
Freeze	-	
Motion detection	-	
Neg.image	-	
Interface	BNC (HD-SDI), Power in	
Power supply	DC+12V±10%	
Power consumption	2.22W (185mA)	
Operating temperature	-10 - +50°C	
Storage temperature	-30 - +70°C	
Operating / Storage humidity	95% RH or less (Without condensation)	
Standard lens	f=3.0mm F1.2 (f=3.0 - 9.0 F1.2 Varifocal lens)	
Cable length	10m (Max. 30m)	
Weight	Approx. 820g	
Accessories	-	

※Various function controls are available on request. Please contact Waterc or your supplier for details

Accessories Options

WAT-2200D

